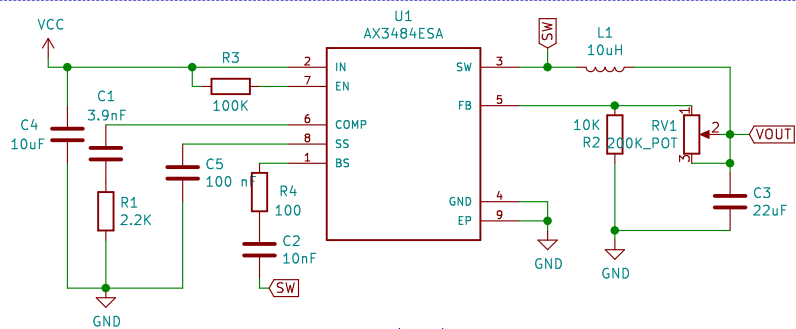


I/O PINS



AX3484ESA

Schematic: Victor

**GroundStudio.ro**

Sheet: /

File: REV0.2 LOLSEQ\_GS mini360.sch

**Title: Mini360**

Size: A4 Date: 2021-02-11

KiCad E.D.A. kicad (5.1.6)-1

**Rev: 1.02**

Id: 1/1